

SD-E07

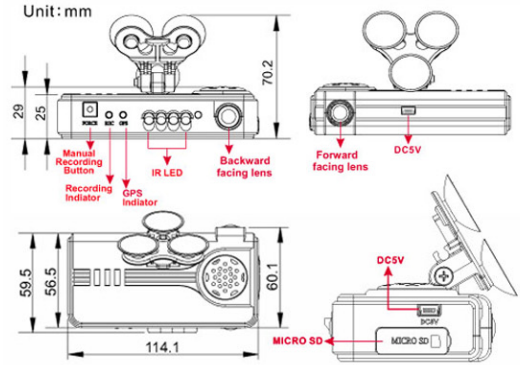
Vehicle Video Recorder



Backward facing camera



Forward facing camera



Features

- * Ideal for taxi, trucks and buses.
- * Easy to install. Small in size to prevent blocking the driver's view.
- * Plug-n-Play. Both front & back cameras can record synchronously.
- * G-sensor, GPS and Image data will be recorded and playable by software player.
- * G-sensor sensitivity can be adjusted according to vehicles and road situations. When detect a strong shock, system will start emergency recording and keep the files without being overwritten.
- * Front view angle approx. 120 degrees. Back view angle approx. 170 degrees.
- * Google map is available for viewing the recorded file and let user to view the routes.
- * Micro SDHC memory card Class 6 or above recommend. Card not included.

PLAYER Operational instruction

Viewing Window Outside Vehicle

Viewing Window Inside Vehicle

GOOGLE MAP

Speed meter

Latitude & Longitude Coordinates

Volume

Video Search

G SENSOR

Play Speed

Open video files

Save video files

GOOGLE MAP

Formatting

Capture

Setting

\$299