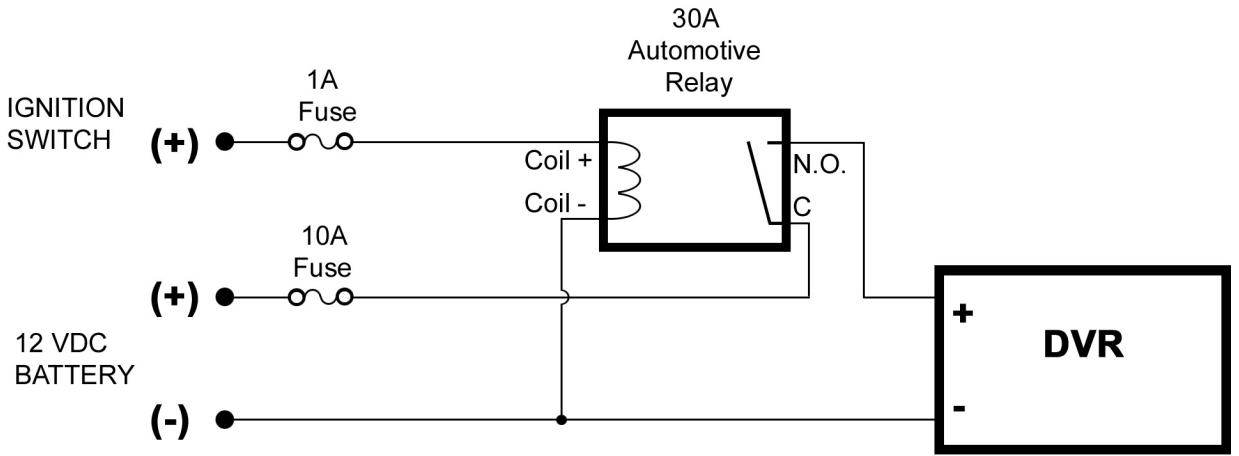
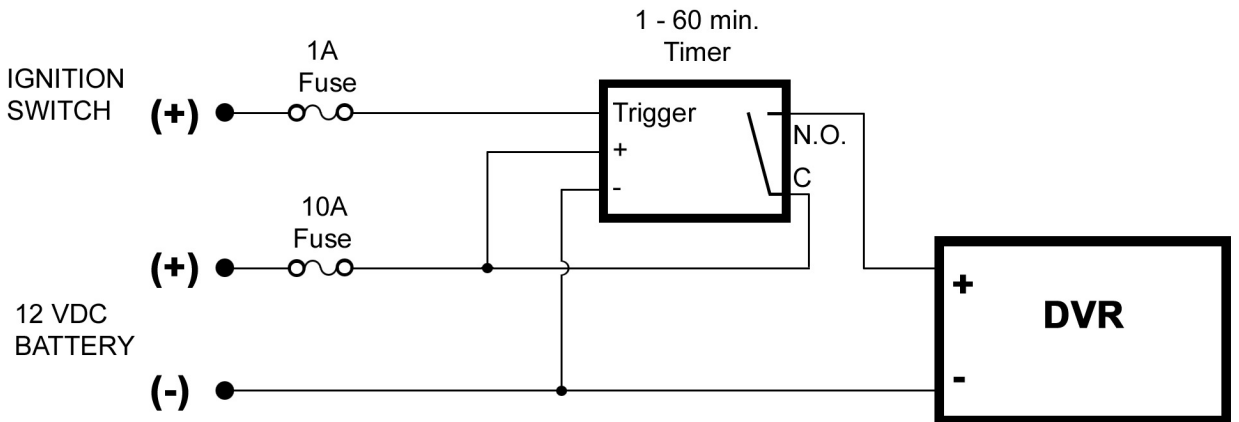


Wiring Mobile DVR into 12 volt vehicle power



(Figure 1) Connecting Mobile DVR to vehicle power using ignition activated relay

When the Mobile DVR is setup to record on motion, the recording will start and stop automatically, controlled by the ignition. There is no need to push any buttons.



(Figure 2) Connecting Mobile DVR to vehicle power using ignition triggered 1-60min. timer

Some vehicles used for short stop deliveries may require additional timer to prevent DVR shutdown when the ignition is turned off. The 1 - 60 minutes adjustable timer will keep power on during the short stop.