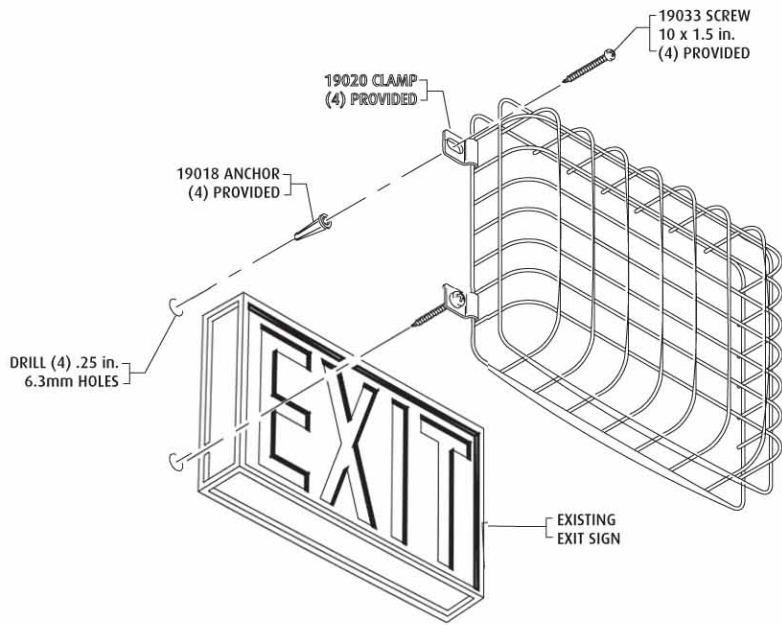


# WIRE CAGE PROTECTION

## Installation Guide



Both - Rectangular and Octagonal (spider web) Wire Cages are shown in installation drawing.

### INSTALLATION:

1. Center the wire guard over protected item.
2. Mark and drill holes.
3. Insert anchors flush with surface.
4. Position guard, insert and tighten screws.

